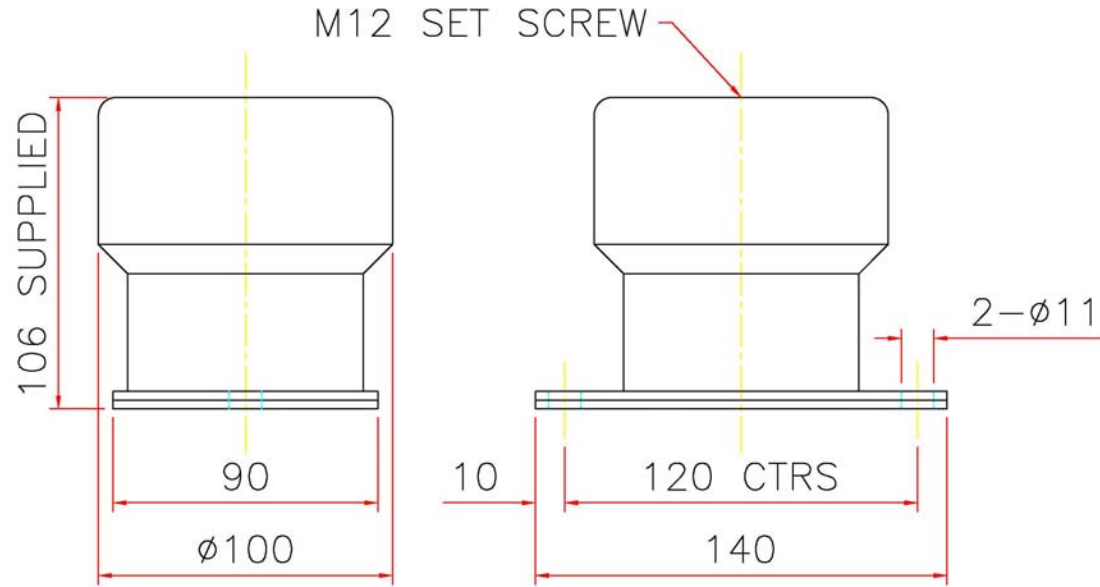
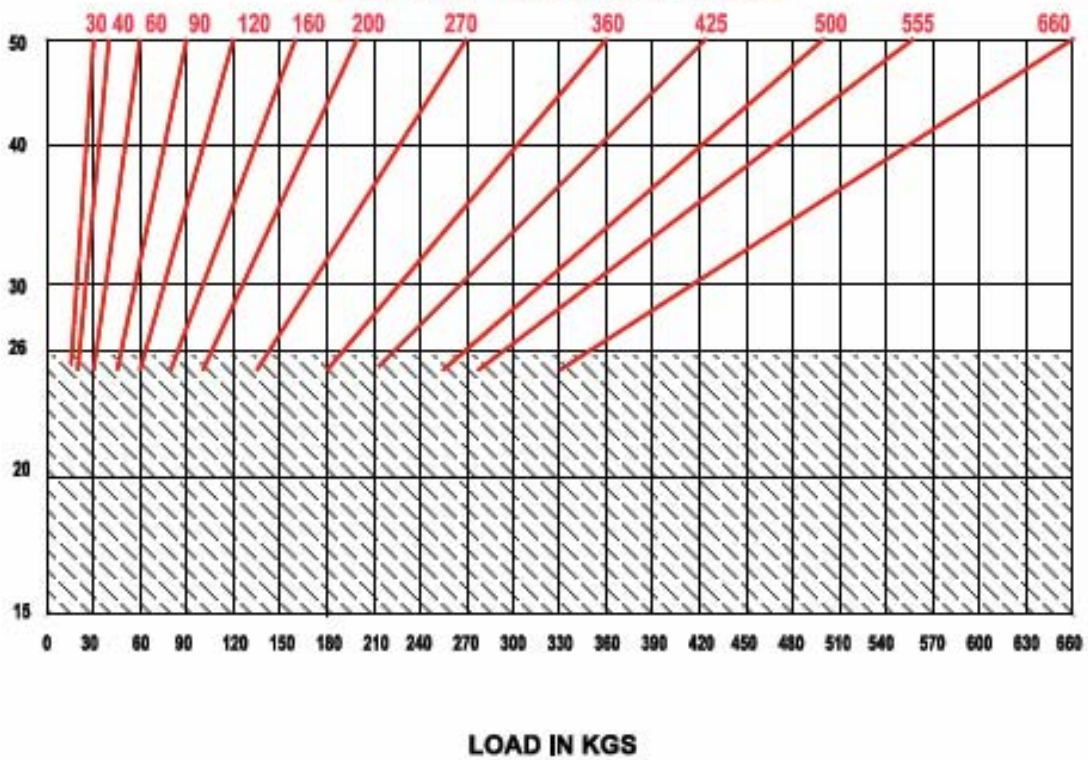


# Type SADM



SADM ISOLATOR CODE REFERENCE



ISOLATION EFFICIENCY %

